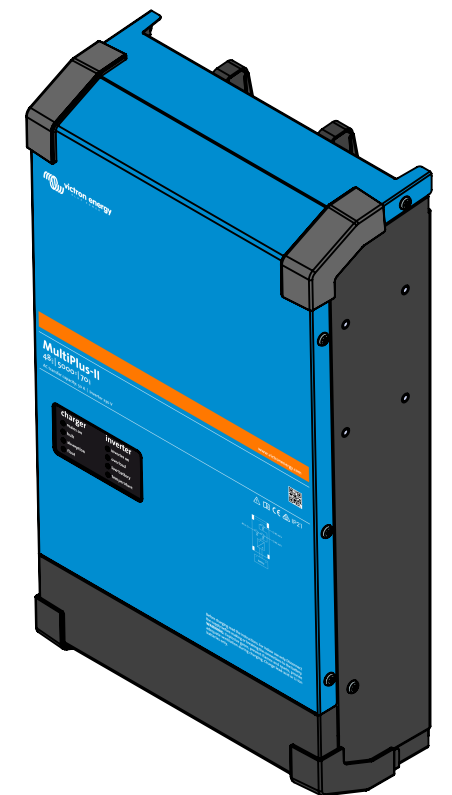
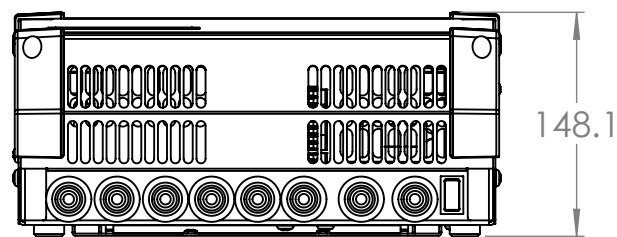
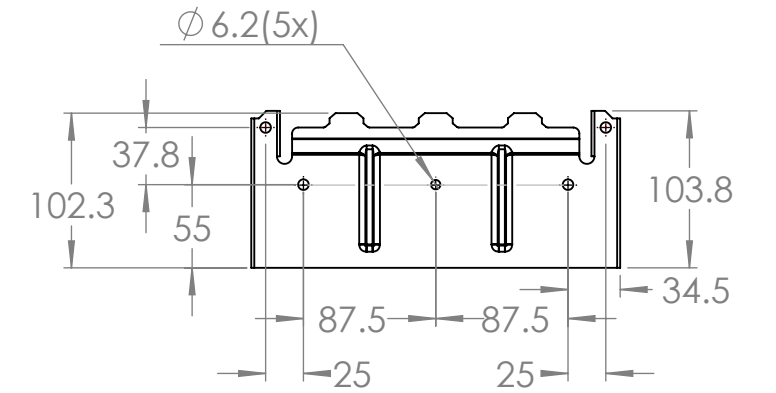
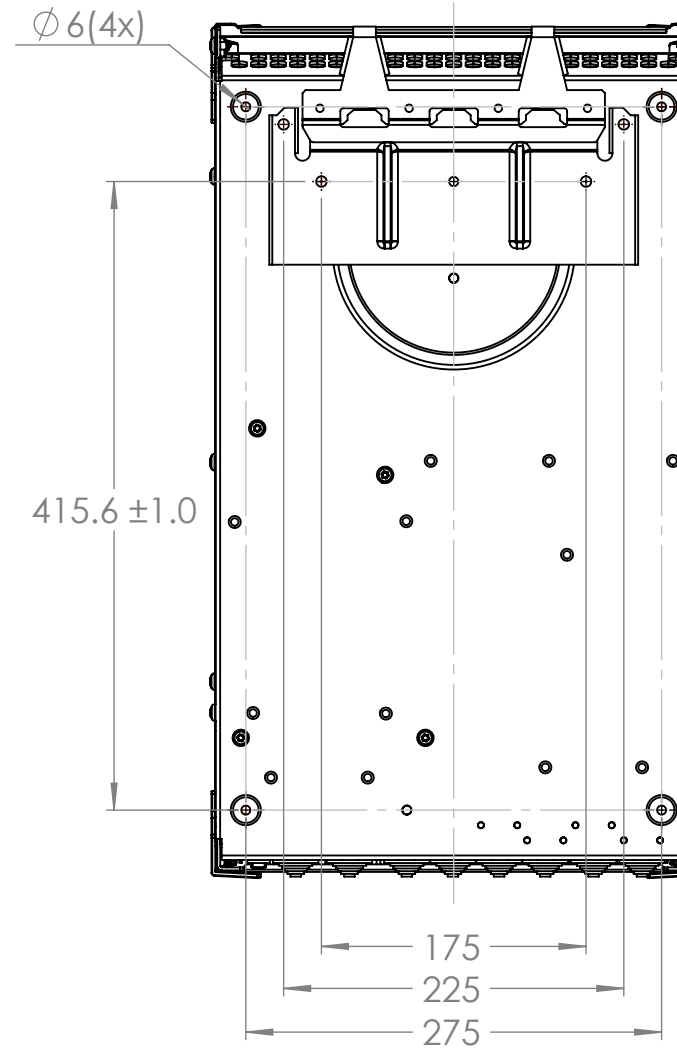
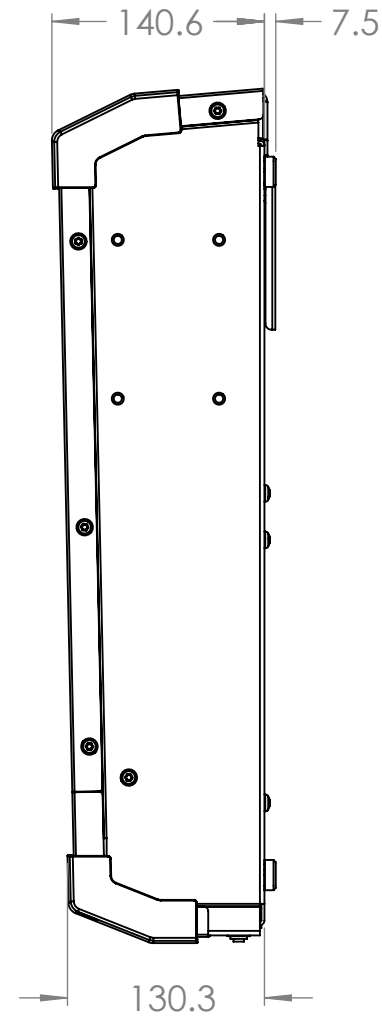
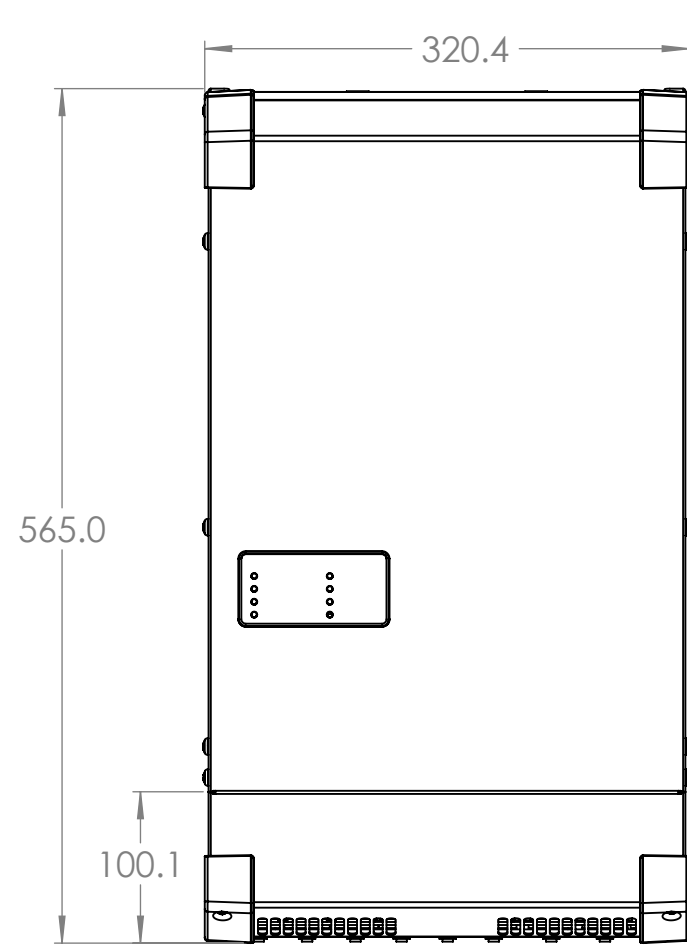


Dimension Drawing - MultiPlus-II

PMP482505012

MultiPlus-II 48/5000/70-50 230V



Dimensions in mm



**victron energy**  
BLUE POWER